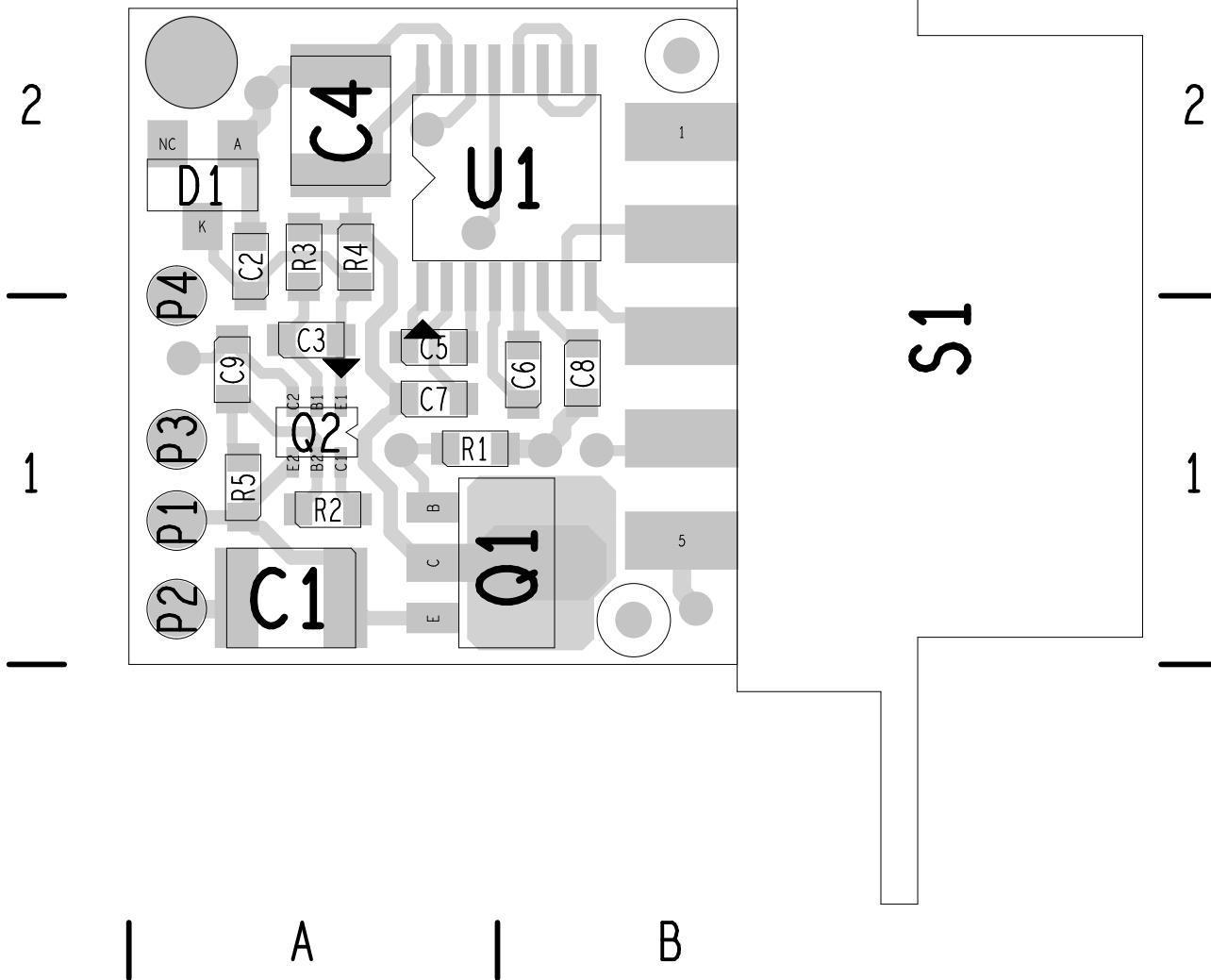


| | | |
|-------------------------------------|-------------------------|-------------------------|
| © TAIT ELECTRONICS | | A3 |
| TP9000 PROGRAMMING CABLE | | |
| IPN: 220-01744-01 | ISSUE: B | VARIANT NUMBER: - |
| FILE DATE: Fri Nov 18 14:24:38 2005 | | |
| ENGINEER: AH | FILE NAME: 220_01744 | SHEET NUMBER: 1 OF 1 |

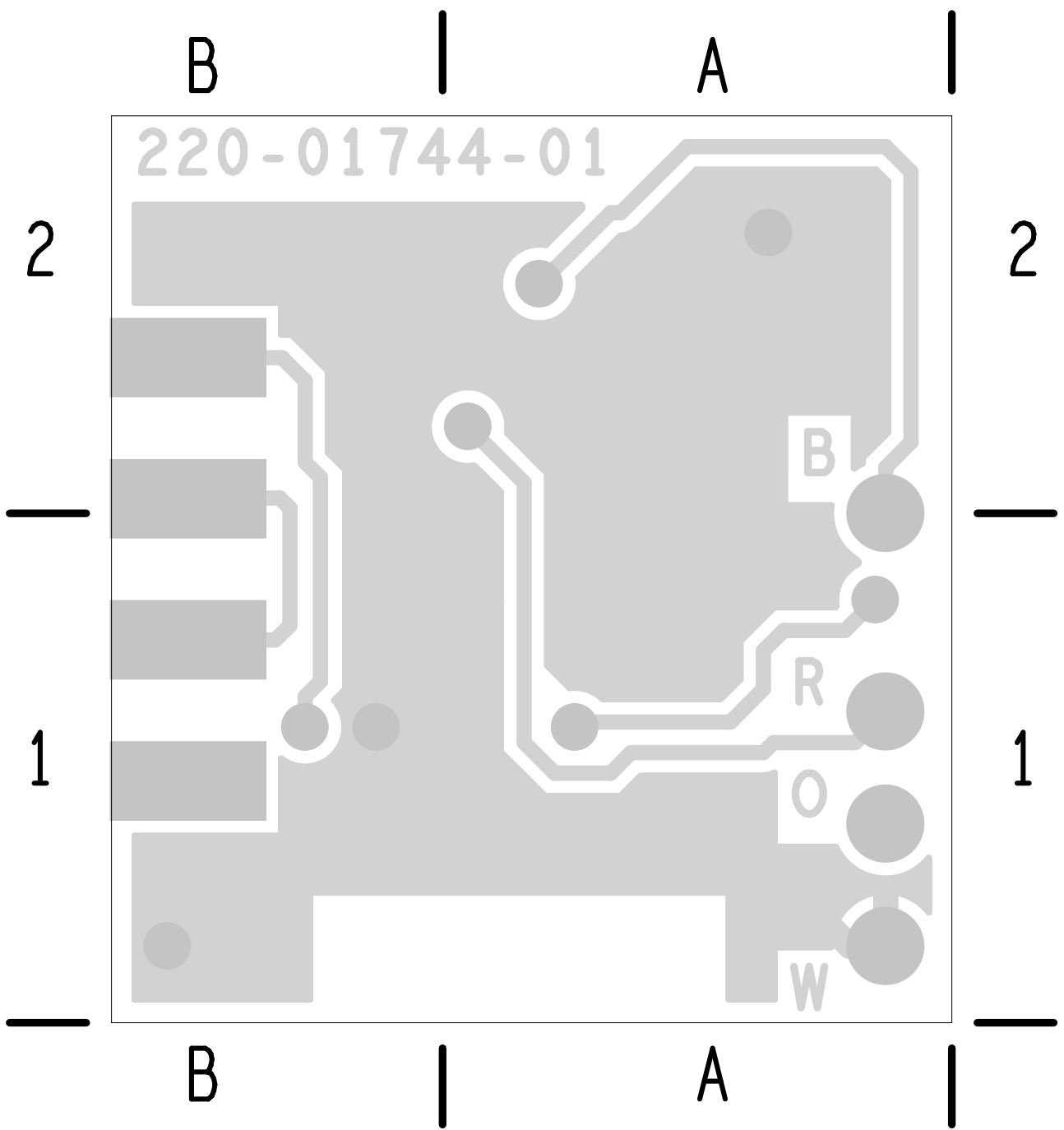
| | | | | | | |
|---------|------------------------|---------|------|------|------|----------|
| 01B | ECO NO. : 103300137 | EDWIN T | AH | - | AH | 18/11/05 |
| 01A | NEW IPN - 226-00722-01 | PAUL G | AH | - | AH | 28FEB05 |
| REV/ISS | AMENDMENTS | DRAWN | CHKD | D.O. | APVD | DATE |

| A | B

BADMARK



| | | | | |
|--|----------------------|-----------|------------------|---------------|
| TAIT ELECTRONICS | IPN: 226-00722-01 | ISS: B | DATE: 18Nov05 | SCALE: NTS |
| APCO PROGRAMMING CABLE LAYOUT-PRIMARY-SIDE | | | | |



| | | | | |
|--|----------------------|-----------|------------------|---------------|
| TAIT ELECTRONICS | IPN: 226-00722-01 | ISS: B | DATE: 18Nov05 | SCALE: NTS |
| APCO PROGRAMMING CABLE LAYOUT-SECONDARY-SIDE | | | | |